

VALOR

MULTIMEDIA



RM-850WS

8.5 inch Roof Mount TFT LCD Monitor

VALOR AUTO COMPANION INC.

18061 Arenth Avenue, City Of Industry, CA91748, USA.
Tel: (888)58-VALOR (626)581-8900 Fax: (626)581-9980
Http:// www.valormultimedia.com

INSTRUCTION MANUAL

Thank you for purchasing of this roof mounting 8.5 inch TFT-LCD monitor.
Before operating the unit, please read this manual thoroughly and keep it for future reference.

PRECAUTIONS

The Unit is for DC 12V, Mobile vehicles Only.

Do not operate other than described in this guide. Doing so may damage it and may void your warranty.

SAFETY FIRST!FOR REAR SEAT VIEW USE ONLY.

Do not install on dashboard or anywhere else that would permit monitor to be viewed by the driver.

Monitor must never be used in any manner that will distract driver or interfere with the driver's safe operation of the motor vehicle.

Be careful not to run down the car battery while using the Unit with the car stopped.

Do not disassemble or modify the Unit . Doing so may damage it and voids your warranty.

Keep drinks and drops from umbrellas away from the Unit . Water may damage the internal circuitry.

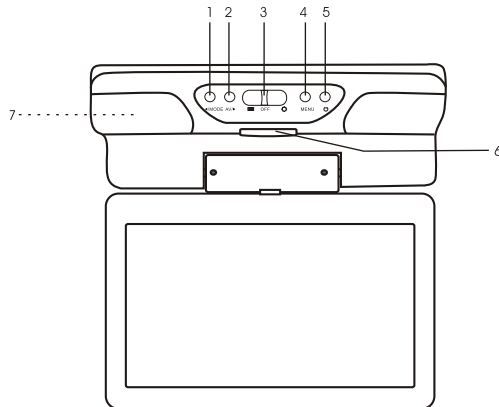
Do not let the Unit become hot. If temperature in the car is high or the Unit has been exposed to direct sunlight and is hot, lower the temperature before using it.

In extremely cold temperatures, the movement of the picture may be slow and the picture may be dark, but this is not a malfunction.

The Unit will work normally once the temperature increases.

Small Black and shiny dots inside the liquid crystal panel are normal for liquid crystal product.

Front panel



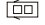

Contents and specifications can be subject to change without prior notice.

SPECIFICATIONS

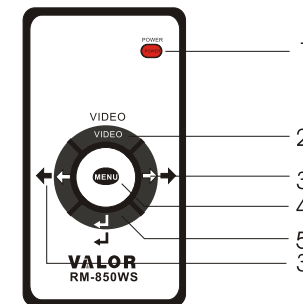
Screen size:	8.5 inch
System:	PAL&NTSC
Display Method:	TFT Active matrix system
Display ratio:	16:9
Pixel:	800X480
Power supply:	DC 12V (+/-10%)
Power consumption:	13W
Weight:	1300g

ACCESSORIES

Metal mounting plate	Remote control	Mounting screws
Instruction manual	IR headphone(Optional)	

- 1.MODE:Image switch 16:9to 4:3
(decrease adjustment when on MENU)
- 2.V1/V2 switch
(increase adjustment when on MENU)
3.  :Door lights
OFF: Turn off
 :turn on the dome lights
- 4.MENU:Press it to active the menu
- 5.Power ON/OFF
- 6.Monitor release button
- 7.Dome Lights

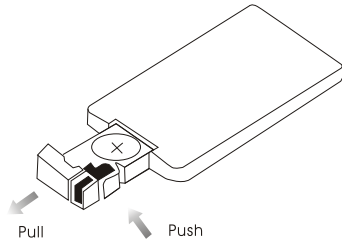
REMOTE CONTROL



- 1 **Power:Press to Power On/Off the monitor**
- 2 **Video select:V1/V2 switch**
- 3 **<-:Press to decrease the value**
->:Press to increase the value
- 4 **Menu:Press to active the OSD menu,it shows**
brightness-contrast-color-tint-default
- 5 **Image switch 16:9 to 4:3**

Some functions only available if the device connected with the optional components.

REMOTE CONTROL BATTERY



1. Always use new batteries when replacing the old .
2. Do not attempt to charge, short-circuit, disassemble, heat or burn used batteries.
3. Battery replacement is necessary when remote control acts sporadically or stops operating this device.
4. Do not place objects between the remote control and remote receiver.
5. If the Monitor does not operate even when operating the remote control from a close range, it is time to replace the batteries (Battery type, CY2025)

INSTALLATION

- The device is an overhead, fold-down 8.5" monitor with an IR Infrared eye.
- It will accept 2 video signal from any video sources with composite video out.
1. Look over the vehicle for a location for the monitor. Each vehicle is different and locations will vary. Make sure the monitor will not interfere with the Driver.
 2. once a location has been determined, connect the IR, A/V RCAs and Power cables to the designated sources.
 3. Feed the cables through the hole in the mounting bracket and screw the bracket to the headliner. Use short screws so as not to damage the roof.
 4. Mount the monitor with the provided hardware.

WIRING

Read all wiring precautions. If you are not sure of the connections, contact your authorized dealer.

1. Disconnect the negative (-) lead of the battery before making any power connections.
2. When creating passage holes for the power wires, use grommets to eliminate any sharp edges created during drilling. This will protect the wire from being nicked and causing a short circuit.
3. When connecting the ground lead, fasten the ground lead (black) securely to a clean metal plate on the vehicle.

